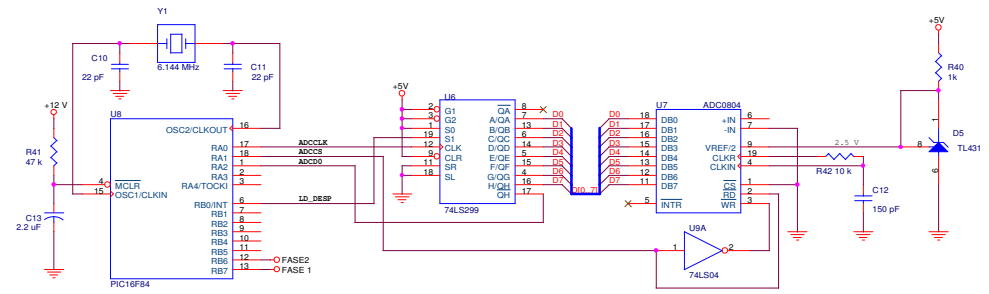
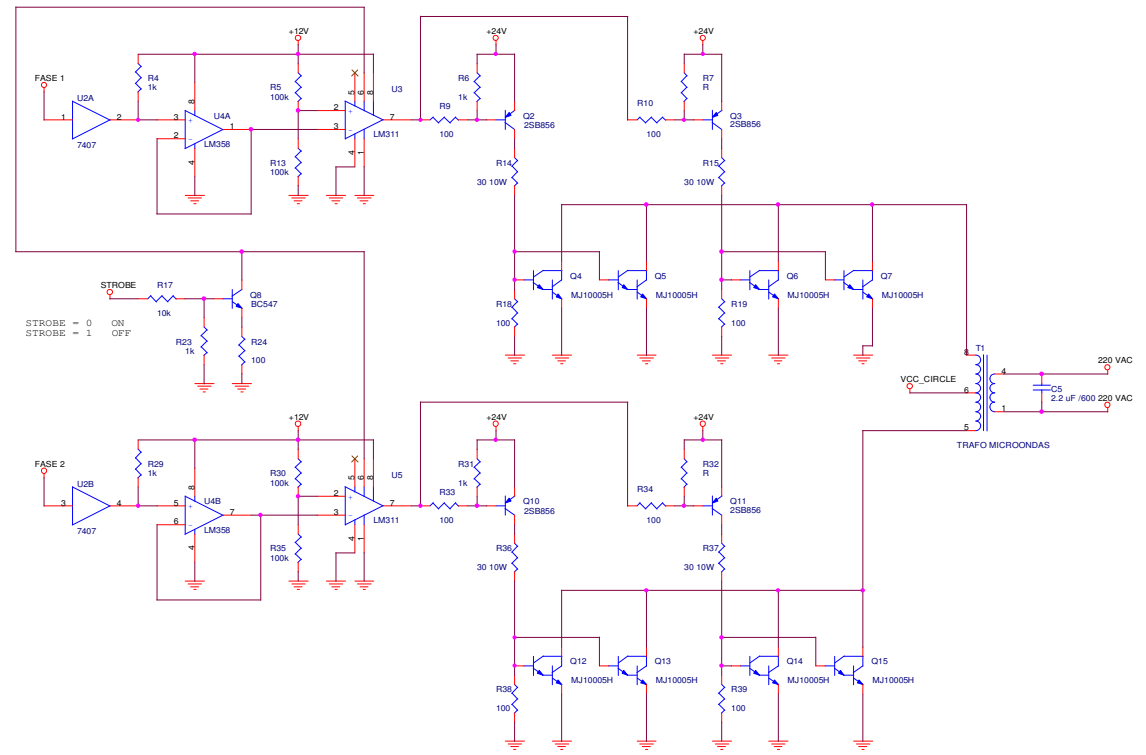
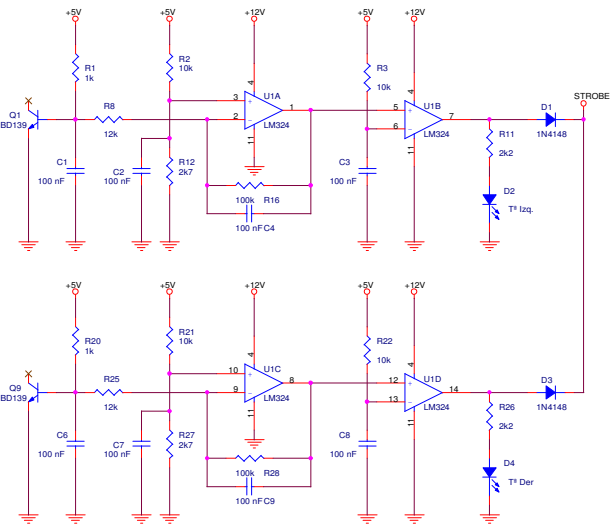


CONTROL DE TEMPERATURA



File	<Title>		Rev
Size	Document Number		<Rev>
A2	<Doc>		<Rev>
Date:	Saturday, November 27, 1999	Sheet	1 of 1